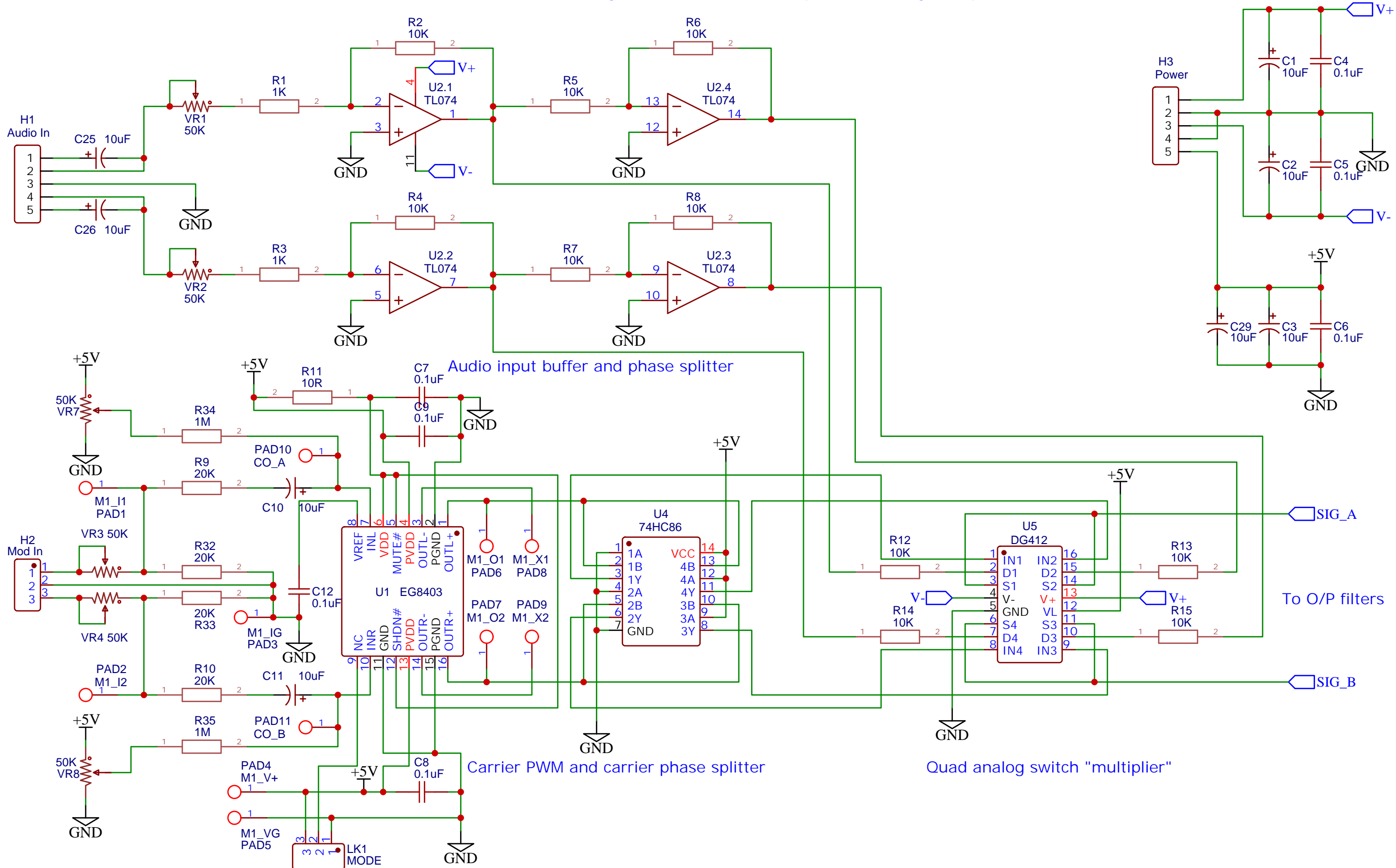


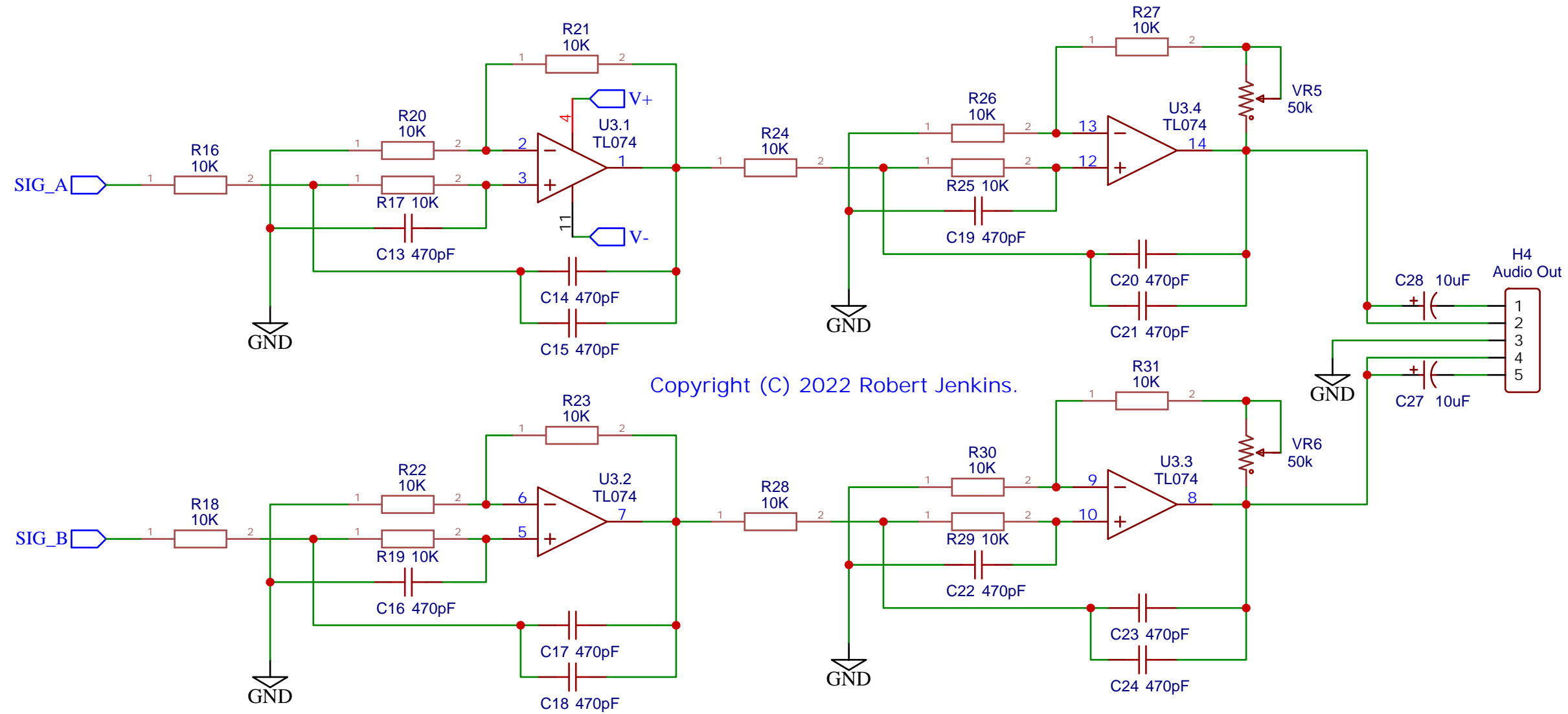
PWM (Class D) "Ring modulator" audio four quadrant analog multiplier



Copyright (C) Robert Jenkins 2022. Released under the Creative Commons CC BY-NC 4.0 licence Attribution-NonCommercial 4.0 International. See <https://creativecommons.org/licenses/by-nc/4.0/> These schematics may be reproduced for non-commercial purposes provided no author credits are removed. Derivations of this work must retain the original authors credits in addition to credits for the author(s) of any later changes.

TITLE: PWM Ring Modulator - Input & Multiplier		REV: 1.0
EasyEDA	Company: Robert Jenkins	Sheet: 1/2
	Date: 2022-09-06	Drawn By: Robert Jenkins

PWM (Class D) "Ring modulator" audio four quadrant analog multiplier



Copyright (C) 2022 Robert Jenkins.

Fourth order low-pass filters for PWM ring modulator

Copyright (C) Robert Jenkins 2022. Released under the Creative Commons CC BY-NC 4.0 licence Attribution-NonCommercial 4.0 International. See <https://creativecommons.org/licenses/by-nc/4.0/> These schematics may be reproduced for non-commercial purposes provided no author credits are removed. Derivations of this work must retain the original authors credits in addition to credits for the author(s) of any later changes.

TITLE: PWM Ring Modulator - Output filters		REV: 1.0
EasyEDA	Company: Your Company	Sheet: 2/2
	Date: 2022-09-18	Drawn By: Robert Jenkins